

NEXANS

POWER ACCESSORIES

An essential cog in energy systems

The future will be electric. The present already is. As electrification gathers paces, network operators are undertaking large-scale projects to extend and modernize the grids. These projects require a wide range of power accessories. Nexans is a leading manufacturer and distributor in this field since more than 60 years, supplying a full range of power accessories to our global customers in about 100 countries.

We connect all types of cables, for high- and medium-voltage installations, and all types of conductors with any cross-section. We provide underground cable junctions, and connect cables to various types of equipment, including transformers and switchgear. Our products are used on both onshore and offshore networks, on wind and solar farms, or in data centers for example.

Our range of products includes EUROMOLD connectors, our cutting-edge EPDM technology, known for its exceptional performance and reliability. We also provide cold and heat shrinkable joints and terminations, developed to be always easier to install and reliable. We pre-assemble ready to install jumpers. And our extensive range of GPH ferrules and lugs, designed to meet the highest standards of quality and durability, are embodied in all our accessories kits or delivered separately.

Nexans is committed to delivering innovative solutions and top-notch products in the field of electrical connections and accessories.

Together, we have the power to electrify the future!

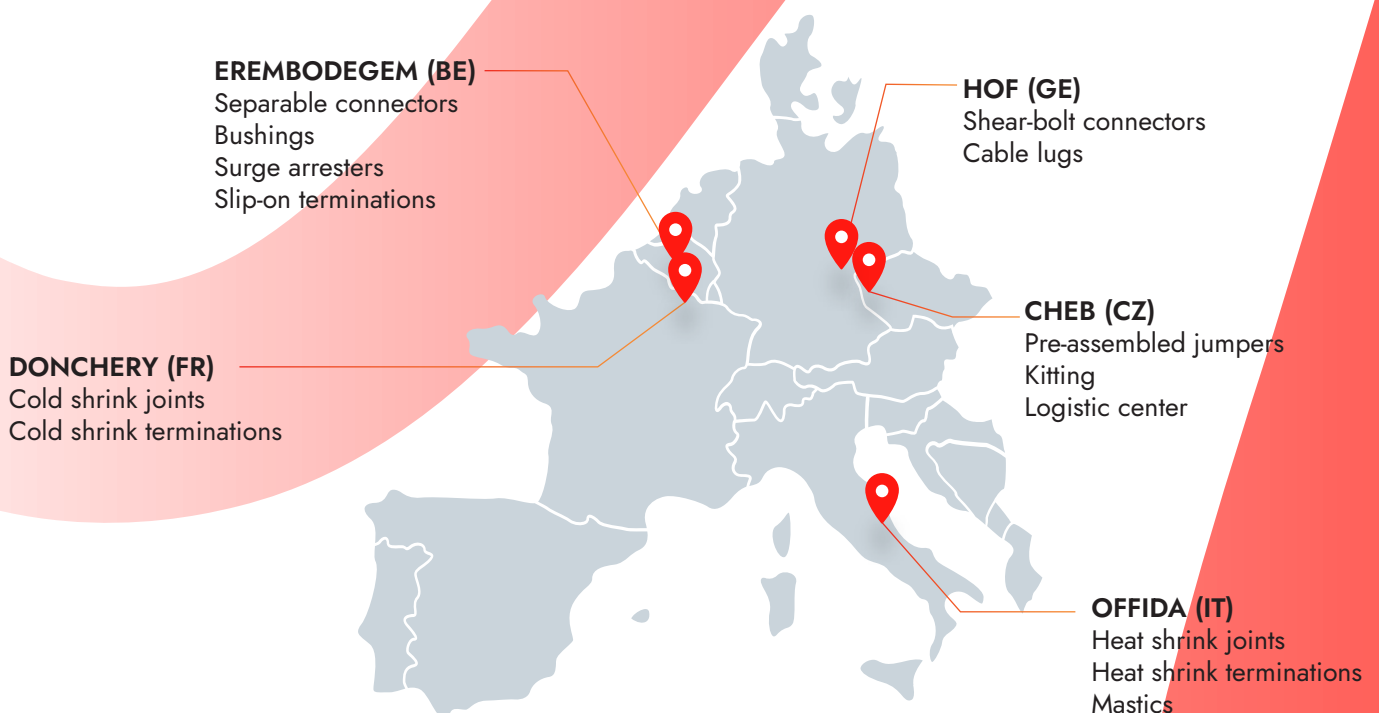
Laboratory accreditation

Since June 2000, Nexans independent ELAB laboratory obtained the BELAC accreditation no.144-TEST conform with the European standards for laboratories ISO 17025 for electrical testing of low and medium voltage cable accessories according to the international standards EN 50393, IEC 60502-4, IEC 61442 and HD 629.

ISO 9001 Certificate

Since 1992, Nexans commitment to quality is demonstrated by its ISO 9001 certification.

At Nexans, we are proud of our manufacturing and kitting sites



Medium voltage separable connectors



- Produced in **Europe**
- 100% routine tested
- Only high-quality material is used
- **Made 100% of EPDM rubber**
- All connectors are tested conform to the CENELEC **HD629.1** standard. Test reports available upon demand
- Degree of protection **IP67**: dust tight & immersion in water

- A complete range (12 kV - 72 kV)
- For cross sections from **95 mm² to 1200 mm²**
- Temperature range from **-60°C to +130°C**
- A range of associated coupling connectors and surge arresters all with compact design
- Offers many test options: capacitive test point, cable tests ...



Made in Europe since 50 years

EUROMOLD separable connectors are made in Europe using only high-quality material such as EPDM rubber. Each product is tested according to CENELEC standards to ensure long-lasting quality.



Compact & flexible design

The compact design of separable connectors uses less raw material and limits sub packaging. It also facilitates installation in reduced space equipment configuration. The ability to combine connectors for most interfaces offers flexibility in the design of your installation.



Reliable

EUROMOLD connectors have a proven track record of high reliability and performance in medium & low high voltage applications. Each separable connector is made with high quality components in Europe and individually tested before leaving the plant, ensuring a reliable connection.

Easy to install & safe



Make your job easier with Nexans separable connectors. They can easily be installed & removed, when de-energized without specific tools, and safely, thanks to high quality EPDM rubber inner and outer jackets, ensuring a long-lasting protection even in harsh environmental conditions.

All-in-one solution



EUROMOLD's separable connectors fit every projects with their different shapes available for a wide range of cross sections taking GPH lugs and cable adaptors, limiting complexity and therefore stock, for all interfaces from A to F.



COMPACT SEPARABLE CONNECTORS

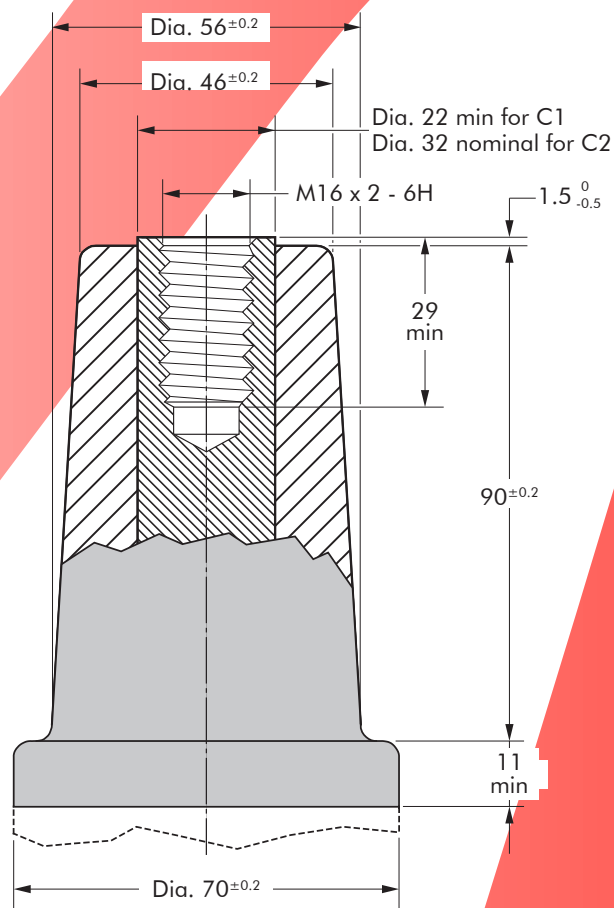
INTERFACE C

TABLE OF CONTENTS

480TB - tee connector
 484TB - tee connector
 489TB - tee connector
 800PB - coupling connector
 804PB - coupling connector
 809PB - coupling connector
 800SA - surge arrester
 800TR - test rod
 T-HSBK - Three core heat-shrink breakout kit
 Accessories
 Possible arrangements

INTERFACE C1 & C2

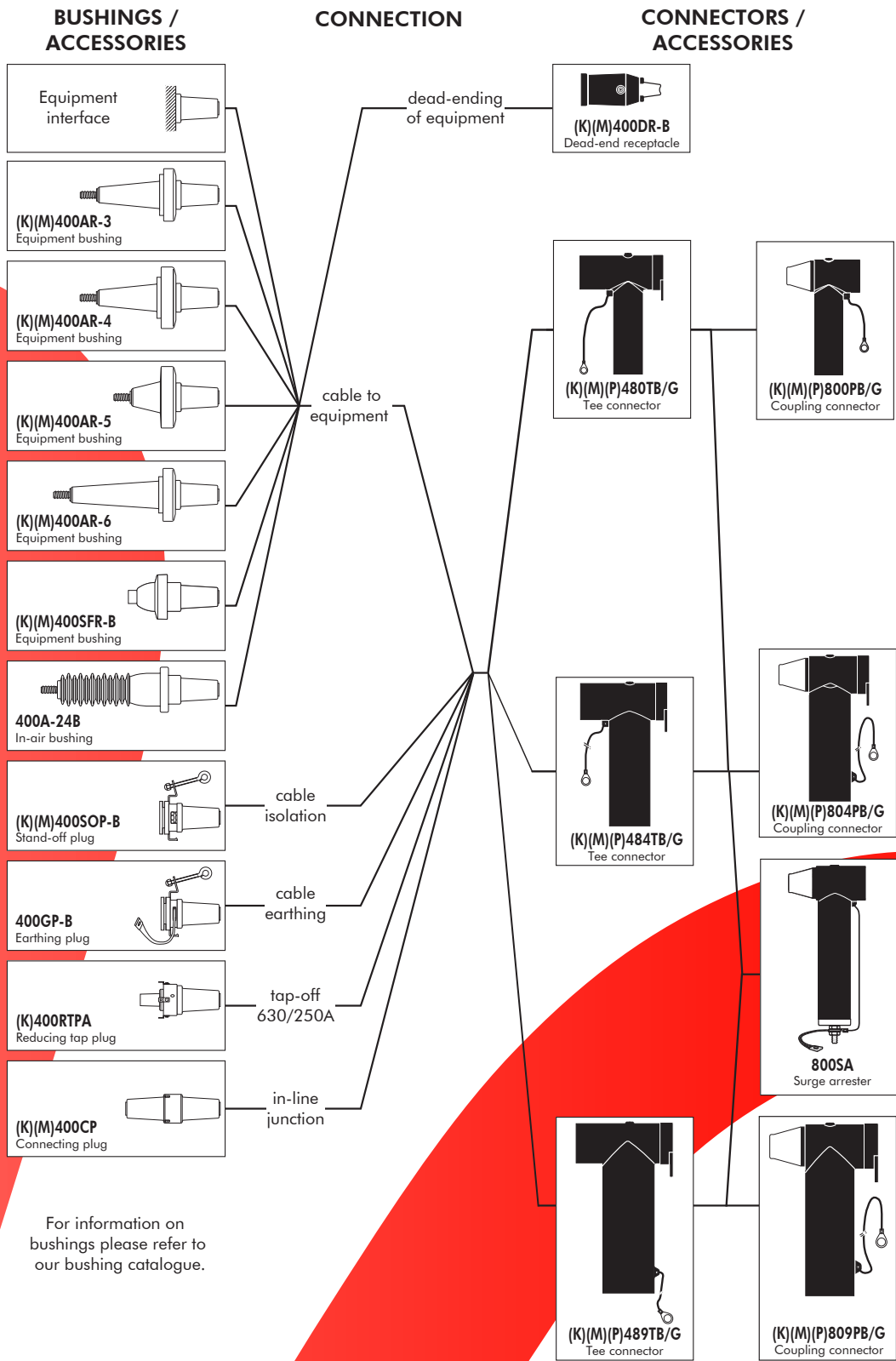
Dimensions according to European CENELEC EN 50180 and 50181 (in mm).



In mm.

While every care is taken to ensure that the information contained in this publication is correct, no legal responsibility can be accepted for any inaccuracy. Nexans Network Solutions N.V. - Div. Euromold reserves the right to alter or modify the characteristics of its products described in this catalogue as standards and technology evolve.

CONNECTING POSSIBILITIES



480TB

APPLICATION

Separable tee shape connector designed to connect polymeric insulated cable to equipment (transformers, switchgear, motors, ...).

Also connects cable to cable when using the appropriate mating parts.

DESIGN

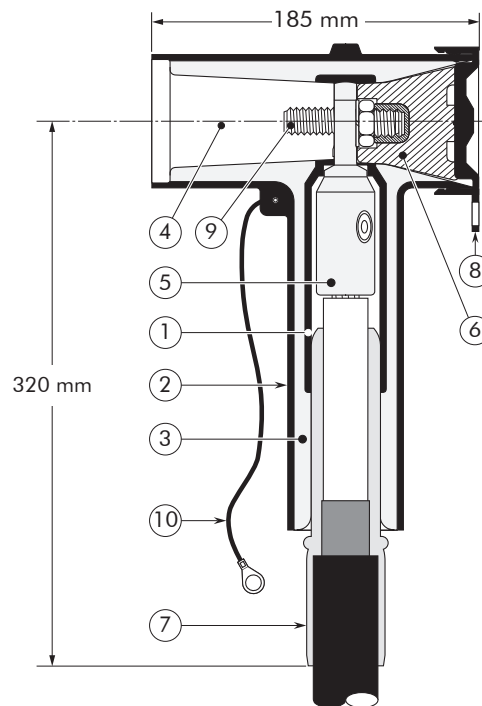
Separable connector comprising:

1. Conductive EPDM insert.
2. Conductive EPDM jacket.
3. Insulating EPDM layer moulded between the insert and the jacket.
4. Type C interface as described by CENELEC EN 50180 and 50181.
5. Conductor contact.
6. Basic insulating plug.
7. Cable reducer.
8. Conductive rubber cap.
9. Clamping screw.
10. Earthing lead.

The screen break design enables cable outer sheath testing without removing or dismantling the connector.

TECHNICAL CHARACTERISTICS

- A thick conductive EPDM jacket provides a total safe to touch screen.
- Each separable connector is tested for AC withstand and partial discharge prior to leaving the factory.



INTERFACE C TEE CONNECTOR



6/10 (12) kV
 6.35/11 (12) kV
 8.7/15 (17.5) kV
 12/20 (24) kV
 12.7/22 (24) kV
 18/30 (36) kV
 19/33 (36) kV
 20.8/36 (42) kV

Up to 42 kV
 630 A - 1250 A

EUROMOLD

SPECIFICATIONS AND STANDARDS

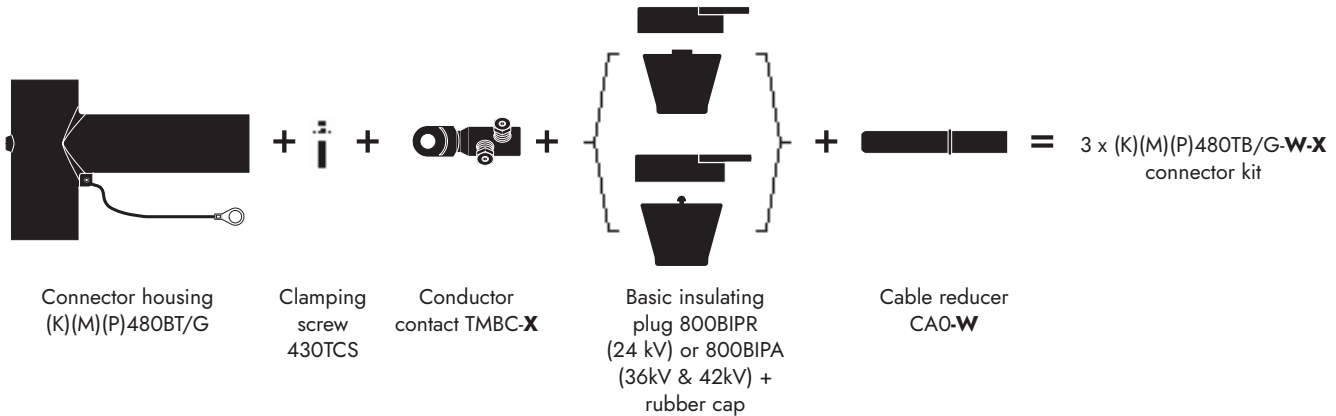
The 480TB separable connector meets the requirements of CENELEC HD 629.1.

Separable connector type	Voltage U_m (kV)	Current I_r (A) When installed on C1 type bushing	Current I_r (A) When installed on C2 type bushing	Conductor sizes (mm ²)	
				min	max
480TB/G	12	630	1250	16	300
K480TB/G	24	630	1250	16	300
M480TB/G	36	630	1250	35	240
P480TB/G	42	630	1250	35	240

KIT CONTENTS

The complete (K)(M)(P)480TB/G tee connector kit comprises 3 x the following components:

The kit also comprises silicone grease, installation cone, gloves, wipers, roll adhesive tape and installation instructions.



ORDERING INSTRUCTIONS

To order the correct tee connector kit, select the ordering part number from table W which gives you the best centring of your core insulation diameter and substitute **X** using table X, according to your conductor size and type. Add a 'K' for use up to 24 kV, add an 'M' for use up to 36 kV, add a 'P' for use up to 42 kV.

EXAMPLE:

The cable is 24 kV (Um), 185 mm² compact stranded copper with a diameter over core insulation of 27.5 mm.

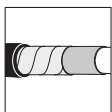
Order 3 x K480TB/G-018-95.300UN5 tee connector kit.

TABLE W

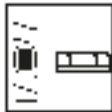
Ordering part number	Dia. over core insulation (mm)	
	min	max
3 x 480TB/G-011-X	12.0	19.0
3 x 480TB/G-015-X	16.0	26.5
3 x 480TB/G-018-X	19.0	32.6
3 x 480TB/G-021-X	22.0	34.6
3 x 480TB/G-027-X	28.5	37.5

TABLE X

Conductor sizes (mm ²)	Aluminium and copper conductor	
	Bolted	
16	16.95UN5	
25		
35		
50		
70		
95	95.300UN5	
120		
150		
185		
240		
300		



For use with copper tape screened cables. Order: Kit MT.



This product can also be installed using a stud & flange nut. Please contact our representative.



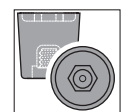
For applications outdoors and in humid climate. Order: +MWS.



For use in potentially explosive atmospheres (for 12 kV max). Order: ATEX-IECEX



For use on vessels classed by DNV. Add -/DNV to part number.



K480TB (24kV version) can also be installed using a 800BIPA (with VD point). Order: /VD

(K)(M)484TB

INTERFACE C TEE CONNECTOR

APPLICATION

Separable tee shape connector designed to connect polymeric insulated cable to equipment (transformers, switchgear, motors, ...).

Also connects cable to cable when using the appropriate mating parts.

TECHNICAL CHARACTERISTICS

- The thick conductive EPDM jacket provides a total safe to touch screen which ensures safety for personnel.
- Each separable connector is tested for AC withstand and partial discharge prior to leaving the factory.

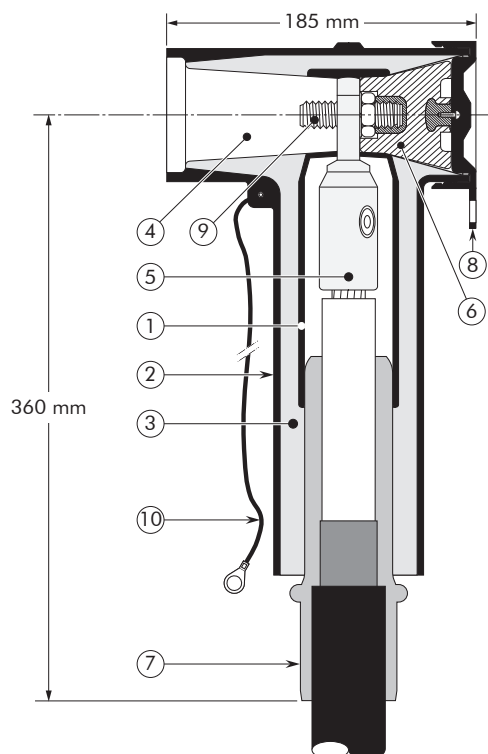


DESIGN

Separable connector comprising:

1. Conductive EPDM insert.
2. Conductive EPDM jacket.
3. Insulating EPDM layer moulded between the insert and the jacket.
4. Type C interface as described by CENELEC EN 50180 and 50181.
5. Conductor contact.
6. Basic insulating plug (with VD point).
7. Cable reducer.
8. Conductive rubber cap.
9. stud & flange nut.
10. Earthing lead.

The screen break design enables cable outer sheath testing without removing or dismantling the connector.



6/10 (12) kV
6.35/11 (12) kV
8.7/15 (17.5) kV
12/20 (24) kV
12.7/22 (24) kV
18/30 (36) kV

Up to 36 kV
630 A -1250 A

EUROMOLD

SPECIFICATIONS AND STANDARDS

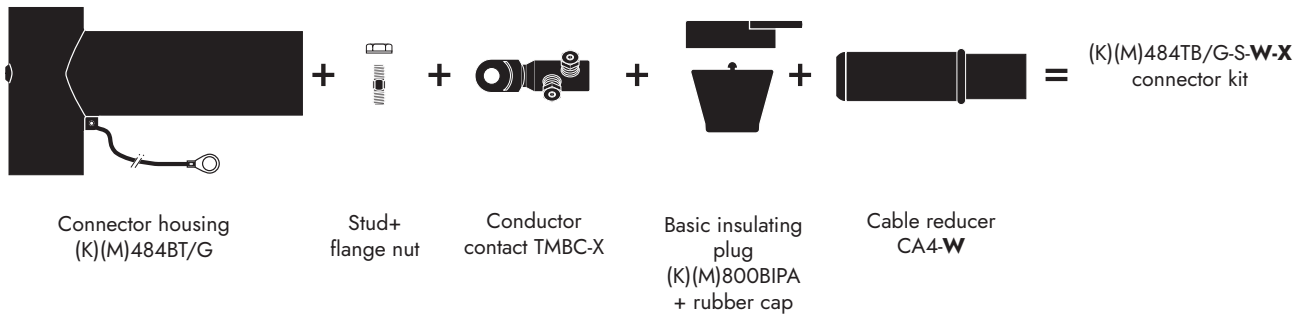
The 484TB separable connector meets the requirements of CENELEC HD 629.1.

Separable connector type	Voltage U_m (kV)	Current I_r (A)	Conductor sizes (mm ²)	
			min	max
484TB/G	12	1250	240	630
K484TB/G	24	1250	240	630
M484TB/G	36	1250	240	630

KIT CONTENTS

The complete (K)(M)484TB/G tee connector kit comprises 3 x the following components:

The kit also comprises silicone grease, gloves, wipers, roll adhesive tape, installation instructions and crimp chart.



ORDERING INSTRUCTIONS

To order the correct tee connector kit, select the ordering part number from table W which gives you the best centring of your core insulation diameter and substitute **X** using table X, according to your conductor size and type.

Add a 'K' for use up to 24 kV, add an 'M' for use up to 36 kV.

EXAMPLE:

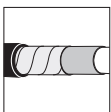
The copper wire screened cable is 36 kV (Um), 400 mm² stranded aluminium with a diameter over core insulation of 42.4 mm. Order 3 x M484TB/G-S-4-37-400.630UN5 tee connector kit.

TABLE W

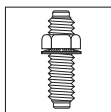
Ordering part number	Dia. over core insulation (mm)	
	min	max
3 x 484TB/G-S-4-22-X	23.5	31.0
3 x 484TB/G-S-4-27-X	28.5	37.5
3 x 484TB/G-S-4-32-X	34.0	42.5
3 x 484TB/G-S-4-37-X	39.0	48.5
3 x 484TB/G-S-4-41-X	43.5	53.0

TABLE X

Conductor sizes (mm ²)	Aluminium and copper conductor	
	Bolted	
240	185.400UN5	
300		
400		
500		400.630UN5
630		



For use with copper tape screened cables.



This product can also be installed using a clamping screw. Please contact our representative.



For use with other cable types. Please contact our representative.



For use on vessels classed by DNV. Add -/DNV to part number



For applications outdoors and in humid climate. Order: +MWS.



Components can be ordered individually.



For use in potentially explosive atmospheres (for 12 kV max). Order: ATEX-IECEx

(P)484TB

INTERFACE C TEE CONNECTOR

APPLICATION

Separable tee shape connector designed to connect polymeric insulated cable to equipment (transformers, switchgear, motors, ...).

Also connects cable to cable when using the appropriate mating parts.

TECHNICAL CHARACTERISTICS

- The thick conductive EPDM jacket provides a total safe to touch screen which ensures safety for personnel.
- Each separable connector is tested for AC withstand and partial discharge prior to leaving the factory.

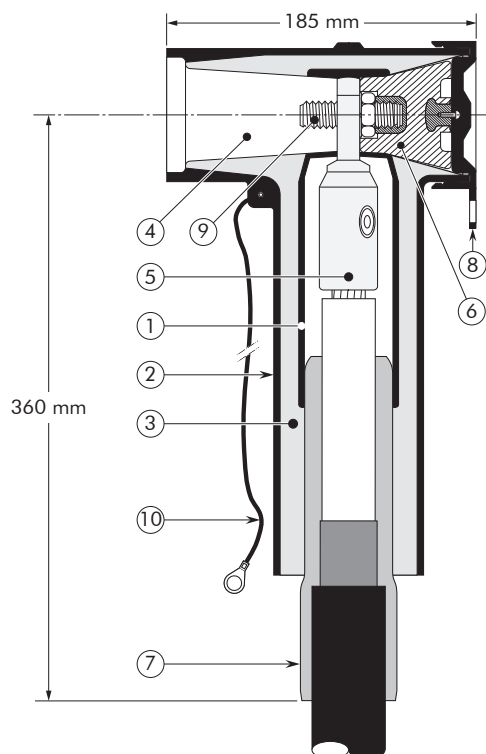


DESIGN

Separable connector comprising:

1. Conductive EPDM insert.
2. Conductive EPDM jacket.
3. Insulating EPDM layer moulded between the insert and the jacket.
4. Type C interface as described by CENELEC EN 50180 and 50181.
5. Conductor contact.
6. Basic insulating plug (with VD point).
7. Cable reducer.
8. Conductive rubber cap.
9. stud & flange nut.
10. Earthing lead.

The screen break design enables cable outer sheath testing without removing or dismantling the connector.



20.8/36 (42) kV

**Up to 42 kV
630 A -1250 A**

EUROMOLD

SPECIFICATIONS AND STANDARDS

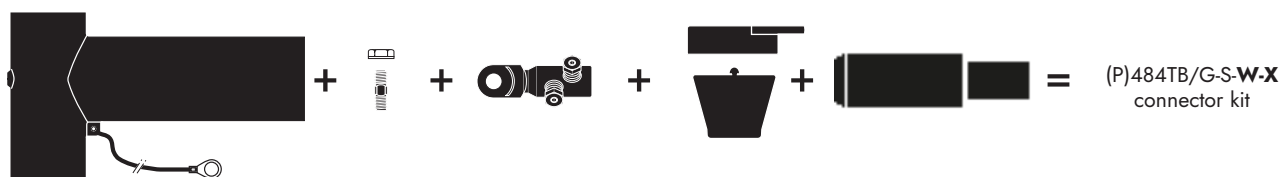
The 484TB separable connector meets the requirements of CENELEC HD 629.1.

Separable connector type	Voltage U_m (kV)	Current I_r (A)	Conductor sizes (mm ²)	
			min	max
P484TB/G	42	1250	240	630

KIT CONTENTS

The complete (P)484TB/G tee connector kit comprises 3 x the following components:

The kit also comprises silicone grease, field control mastic, gloves, wipers, roll adhesive tape, installation instructions and crimp chart.



Connector housing
(P)484BT/G

Stud+
flange nut

Conductor
contact TMBC-X

Basic insulating
plug
(P)800BIPA
+ rubber cap

Cable reducer
611CA-W

(P)484TB/G-S-W-X
connector kit

ORDERING INSTRUCTIONS

To order the tee connector, select the ordering part number which gives you the best centring of your core insulation diameter and substitute **X** using table X, according to your conductor size and type.

Add a 'P' for use up to 42 kV.

EXAMPLE:

The copper wire screened cable is 42 kV, 400 mm² stranded aluminium with a diameter over core insulation of 44.0 mm.

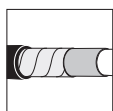
Order 3 x P484TB/G-S-4-37-400.630UN5 tee connector kit.

TABLE W

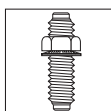
Ordering part number	Dia. over core insulation (mm)	
	min	max
3 x 484TB/G-S-22-X	23.5	31.0
3 x 484TB/G-S-27-X	28.5	37.5
3 x 484TB/G-S-32-X	34.0	42.5
3 x 484TB/G-S-37-X	39.0	48.5
3 x 484TB/G-S-43-X	45.5	56.0

TABLE X

Conductor sizes (mm ²)	Aluminium and copper conductor	
	Bolted	
240	185.400UN5	
300		
400		
500		400.630UN5
630		



For use with copper tape screened cables.



This product can also be installed using a clamping screw. Please contact our representative.



For use with other cable types. Please contact our representative.



For use on vessels classed by DNV. Add -/DNV to part number.



For applications outdoors and in humid climate. Order: +MWS.



Components can be ordered individually.



For use in potentially explosive atmospheres (for 12 kV max). Order: ATEX-IECEx

489TB

INTERFACE C TEE CONNECTOR

APPLICATION

Separable tee shape connector designed to connect polymeric insulated cable to equipment (transformers, switchgear, motors, ...).

Also connects cable to cable when using the appropriate mating parts.

TECHNICAL CHARACTERISTICS

- The thick conductive EPDM jacket provides a total safe to touch screen which ensures safety for personnel.
- Each separable connector is tested for AC withstand and partial discharge prior to leaving the factory.

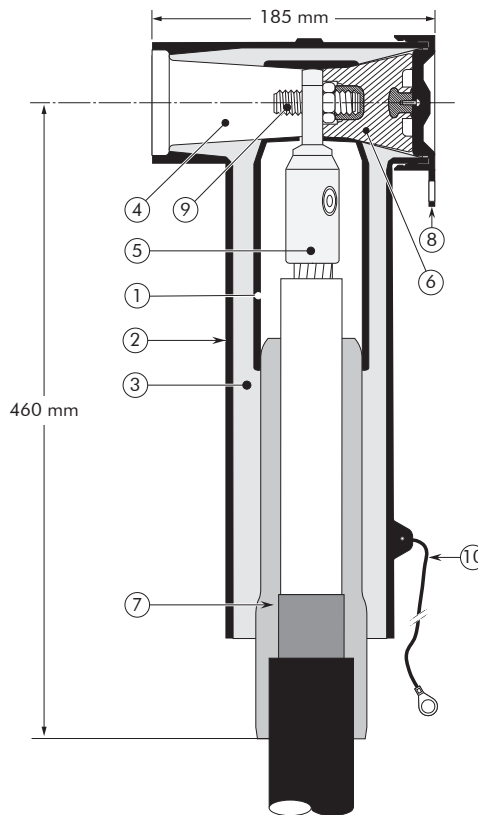


DESIGN

Separable connector comprising:

1. Conductive EPDM insert.
2. Conductive EPDM jacket.
3. Insulating EPDM layer moulded between the insert and the jacket.
4. Type C - interface as described by CENELEC EN 50180 and 50181.
5. Conductor contact.
6. Basic insulating plug (with VD point).
7. Cable reducer.
8. Conductive rubber cap.
9. Stud+flange nut.
10. Earthing lead.

The screen break design enables cable outer sheath testing without removing or dismantling the connector.



6/10 (12) kV
6.35/11 (12) kV
8.7/15 (17.5) kV
12/20 (24) kV
12.7/22 (24) kV
18/30 (36) kV
19/33 (36) kV
20.8/36 (42) kV

Up to 42 kV
630 A - 1250 A

EUROMOLD

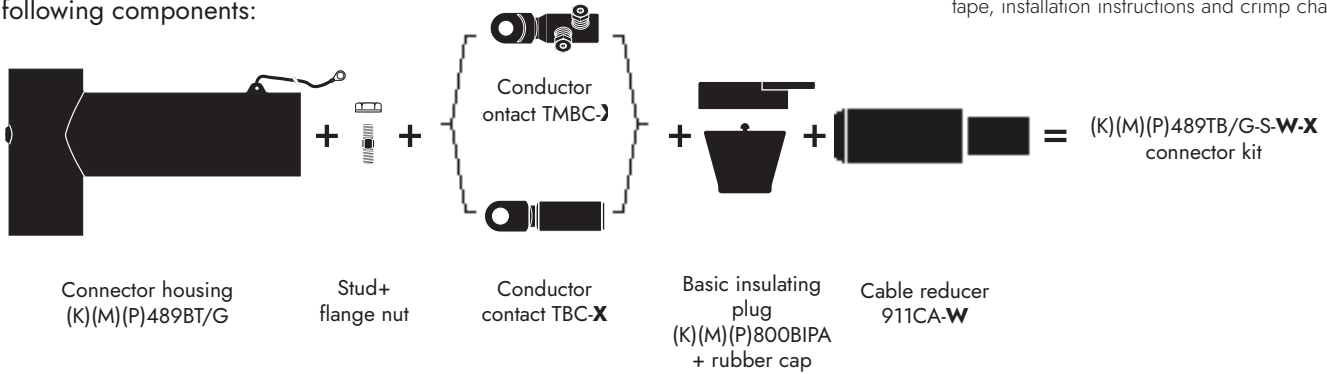
SPECIFICATIONS AND STANDARDS

The 489TB separable connector meets the requirements of CENELEC HD 629.1.

Separable connector type	Voltage U_m (kV)	Current I_r (A)	Conductor sizes (mm ²)	
			min	max
489TB/G	12	1250	630	1200
K489TB/G	24	1250	630	1200
M489TB/G	36	1250	630	1200
P489TB/G	42	1250	630	1200

KIT CONTENTS

The complete (K)(M)(P)489TB/G tee connector kit comprises 3 x the following components:



ORDERING INSTRUCTIONS

To order the correct tee connector kit, select the ordering part number from table W which gives you the best centring of your core insulation diameter and substitute **X** using table X, according to your conductor size and type. Add a 'K' for use up to 24 kV, add an 'M' for use up to 36 kV, add a 'P' for use up to 42 kV.

EXAMPLE:

The copper wire screened cable is 36 kV (Um), 1000 mm² stranded aluminium with a diameter over core insulation of 52 mm.

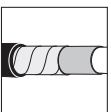
Order 3 x M489TB/G-S-43-630.1000UN5 tee connector kit.

TABLE W

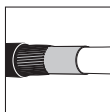
Ordering part number	Dia. over core insulation (mm)	
	min	max
3 x 489TB/G-S-37-X	40	48
3 x 489TB/G-S-43-X	46	54
3 x 489TB/G-S-50-X	53	59
3 x 489TB/G-S-53-X	56	62
3 x 489TB/G-S-56-X	59	65
3 x 489TB/G-S-59-X	62	68

TABLE X

Conductor sizes (mm ²)	Aluminium and copper conductor	
	Bolted	
630	400.6	
800	800.10	
1000		
1200	1200	



For use with copper tape screened cables. Order: Kit MT.



For use with copper wire screened cables. No earthing device is necessary.



For use with other cable types. Please contact our representative.



For use on vessels classed by DNV. Add -/DNV to part number.



For applications outdoors and in humid climate. Order: +MWS.



Components can be ordered individually.



For use in potentially explosive atmospheres (for 12 kV max). Order: ATEX-IECEx

800PB

COUPLING CONNECTOR FOR 480TB, 484TB AND 489TB

APPLICATION

Separable coupling connector for dual cable arrangement. It has been designed to be used with 480TB, 484TB and 489TB separable tee connectors.

Can also be installed on any 8-series coupling connector for a multiple cable arrangement.

TECHNICAL CHARACTERISTICS

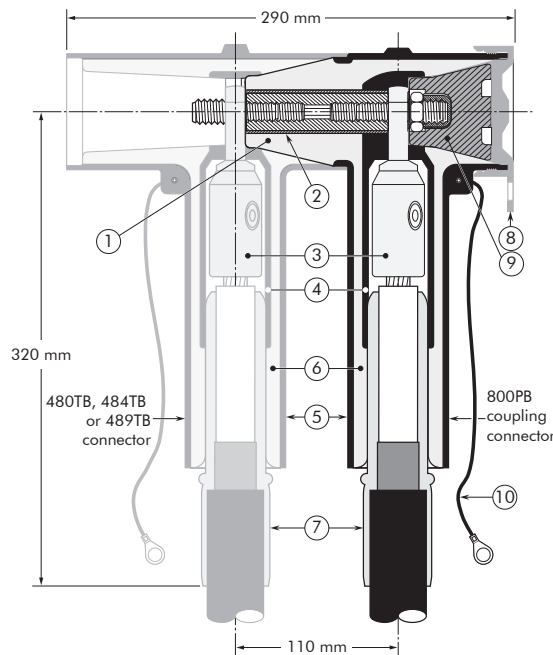
- A thick conductive EPDM jacket provides a total safe to touch screen.
- Each separable connector is tested for AC withstand and partial discharge prior to leaving the factory.



DESIGN

1. Interface designed to fit 480TB, 484TB and 489TB connectors.
2. Contact rod for 800PB.
3. Conductor contact.
4. Conductive EPDM insert.
5. Conductive EPDM jacket.
6. Insulating EPDM layer moulded between the insert and the jacket.
7. Cable reducer.
8. Conductive EPDM cap.
9. Basic insulating plug.
10. Earthing lead.

The screen break design enables cable outer sheath testing without removing or dismantling the connector.



6/10 (12) kV
6.35/11 (12) kV
8.7/15 (17.5) kV
12/20 (24) kV
12.7/22 (24) kV
18/30 (36) kV
19/33 (36) kV
20.8/36 (42) kV

Up to 42 kV
630A - 1250 A

EUROMOLD

SPECIFICATIONS AND STANDARDS

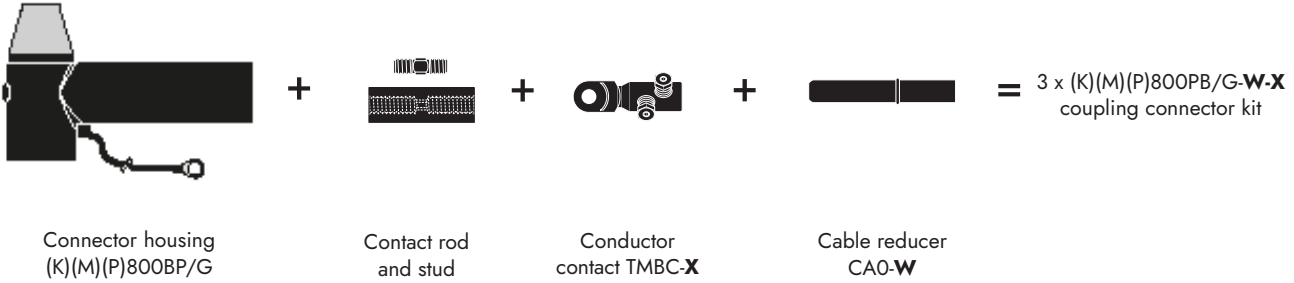
The 800PB coupling connector meets the requirements of CENELEC HD 629.1.

Separable connector type	Voltage U_m (kV)	Current I_r (A) When installed on C1 type bushing	Current I_r (A) When installed on C2 type bushing	Conductor sizes (mm ²)	
				min	max
800PB/G	12	630	1250	16	300
K800PB/G	24	630	1250	16	300
M800PB/G	36	630	1250	35	240
P800PB/G	42	630	1250	35	240

KIT CONTENTS

The complete (K)(M)(P)800PB/G coupling connector kit comprises 3 x the following components:

The kit also comprises silicone grease, installation cone, gloves, wipers, roll adhesive tape and installation instructions.



ORDERING INSTRUCTIONS

To order the correct coupling connector kit, select the ordering part number from table W which gives you the best centring of your core insulation diameter and substitute **X** using table X, according to your conductor size and type. Add a 'K' for use up to 24 kV, add an 'M' for use up to 36 kV, add a 'P' for use up to 42 kV.

EXAMPLE:

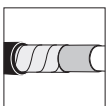
The cable is 24 kV (Um), 185 mm² compact stranded copper with a diameter over core insulation of 27.5 mm.
Order 3 x K800PB/G-018-95.300UN5 coupling connector kit.

TABLE W

Ordering part number	Dia. over core insulation (mm)	
	min	max
3 x 800PB/G-011-X	12.0	19.0
3 x 800PB/G-015-X	16.0	26.5
3 x 800PB/G-018-X	19.0	32.6
3 x 800PB/G-021-X	22.0	34.6
3 x 800PB/G-027-X	28.5	37.5

TABLE X

Conductor sizes (mm ²)	Aluminium and copper conductor	
	Bolted	
16	16.95UN5	
25		
35		
50		
70		
95	95.300UN5	
120		
150		
185		
240		
300		



For use with copper tape screened cables.
Order: Kit MT.



For use with other cable types.
Please contact our representative.



For outdoor applications.
Order: +MWS.



For use in potentially explosive atmospheres (for 12 kV max).
Order: ATEX-IECEX



For use on vessels classed by DNV.
Add -/DNV to part number

804PB

COUPLING CONNECTOR
FOR 480TB, 484TB AND 489TB

APPLICATION

Separable coupling connector for dual cable arrangement. It has been designed to be used with 480TB, 484TB and 489TB separable tee connectors. Can also be installed on any 8-series coupling connector for a multiple cable arrangement.

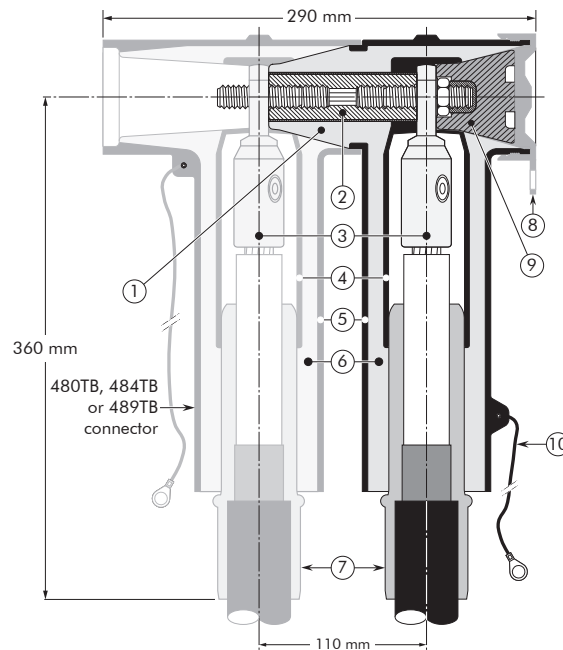
TECHNICAL CHARACTERISTICS

- A thick conductive EPDM jacket provides a total safe to touch screen.
- Each separable connector is tested for AC withstand and partial discharge prior to leaving the factory.



DESIGN

1. Interface designed to fit 480TB, 484TB and 489TB connector.
2. Contact rod for 804PB.
3. Conductor contact.
4. Conductive EPDM insert.
5. Conductive EPDM jacket.
6. Insulating EPDM layer moulded between the insert and the jacket.
7. Cable reducer.
8. Conductive EPDM cap.
9. Basic insulating plug (with VD point).
10. Earthing lead.



6/10 (12) kV
6.35/11 (12) kV
8.7/15 (17.5) kV
12/20 (24) kV
12.7/22 (24) kV
18/30 (36) kV
19/33 (36) kV
20.8/36 (42) kV

Up to 42 kV
1250 A

EUROMOLD

The screen break design enables cable outer sheath testing without removing or dismantling the connector.

SPECIFICATIONS AND STANDARDS

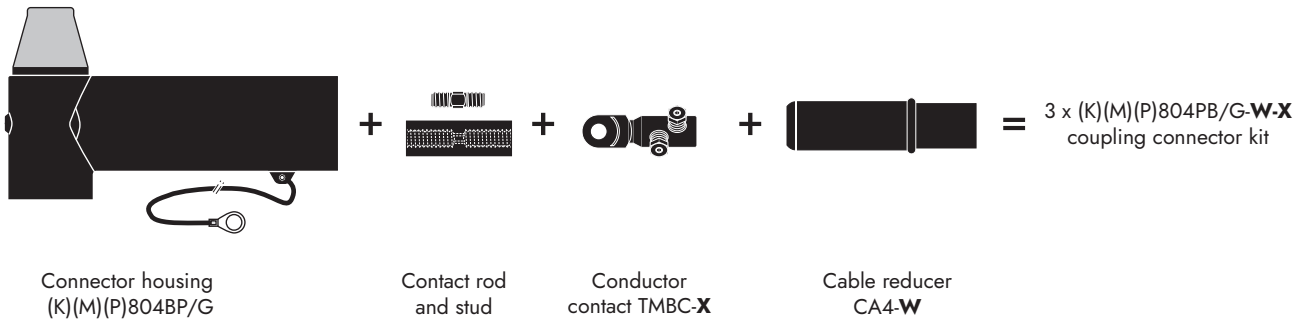
The 804PB coupling connector meets the requirements of CENELEC HD 629.1.

Separable connector type	Voltage U_m (kV)	Current I_r (A)	Conductor sizes (mm ²)	
			min	max
804PB/G	12	1250	240	630
K804PB/G	24	1250	240	630
M804PB/G	36	1250	240	630
P804PB/G	42	1250	240	630

KIT CONTENTS

The complete (K)(M)(P)804PB/G coupling connector kit comprises 3 x the following components:

The kit also comprises silicone grease, gloves, wipers, roll adhesive tape, installation instructions and crimp chart.



ORDERING INSTRUCTIONS

To order the correct coupling connector kit, select the ordering part number from table W which gives you the best centring of your core insulation diameter and substitute **X** using table X, according to your conductor size and type.

Add a 'K' for use up to 24 kV, add an 'M' for use up to 36 kV, add a 'P' for use up to 42 kV.

EXAMPLE:

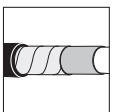
The copper wire screened cable is 36 kV (Um), 400 mm² stranded aluminium with a diameter over core insulation of 42.4 mm. Order 3 x M804PB/G-4-37-400.630UN5 coupling connector kit.

TABLE W

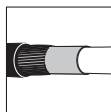
Ordering part number	Dia. over core insulation (mm)	
	min	max
3 x 804PB/G-4-22-X	23.5	31.0
3 x 804PB/G-4-27-X	28.5	37.5
3 x 804PB/G-4-32-X	34.0	42.5
3 x 804PB/G-4-37-X	39.0	48.5
3 x 804PB/G-4-41-X	43.5	55.0

TABLE X

Conductor sizes (mm ²)	Aluminium and copper conductor	
	Bolted	
240	185.400UN5	
300		
400		
500		400.630UN5
630		



For use with copper tape screened cables. Order: Kit MT.



For use with copper wire screened cables. No earthing device is necessary.



For use with other cable types. Please contact our representative.



For use on vessels classed by DNV. Add -/DNV to part number.



For applications outdoors and in humid climate. Order: +MWS.



Components can be ordered individually.



For use in potentially explosive atmospheres (for 12 kV max). Order: ATEX-IECEx

809PB

COUPLING CONNECTOR
FOR 480TB, 484TB AND 489TB

APPLICATION

Separable coupling connector for dual cable arrangement. It has been designed to be used with 480TB, 484TB and 489TB separable tee connectors.
Can also be installed on any 8-series coupling connector for a multiple cable arrangement.

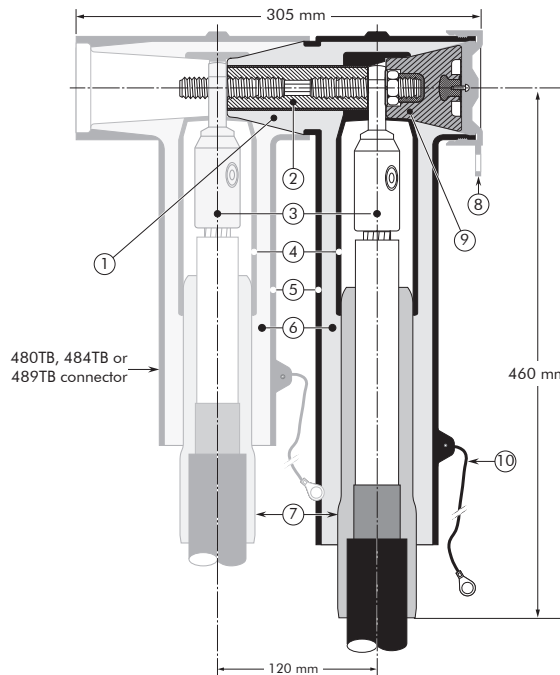
TECHNICAL CHARACTERISTICS

- A thick conductive EPDM jacket provides a total safe to touch screen.
- Each separable connector is tested for AC withstand and partial discharge prior to leaving the factory.



DESIGN

1. Interface designed to fit 480TB, 484TB and 489TB connector.
2. Contact rod for 809PB.
3. Conductor contact.
4. Conductive EPDM insert.
5. Conductive EPDM jacket.
6. Insulating EPDM layer moulded between the insert and the jacket.
7. Cable reducer.
8. Conductive EPDM cap.
9. Basic insulating plug (with VD point).
10. Earthing lead.



6/10 (12) kV
6.35/11 (12) kV
8.7/15 (17.5) kV
12/20 (24) kV
12.7/22 (24) kV
18/30 (36) kV
19/33 (36) kV
20.8/36 (42) kV

Up to 42 kV
1250 A

EUROMOLD

The screen break design enables cable outer sheath testing without removing or dismantling the connector.

SPECIFICATIONS AND STANDARDS

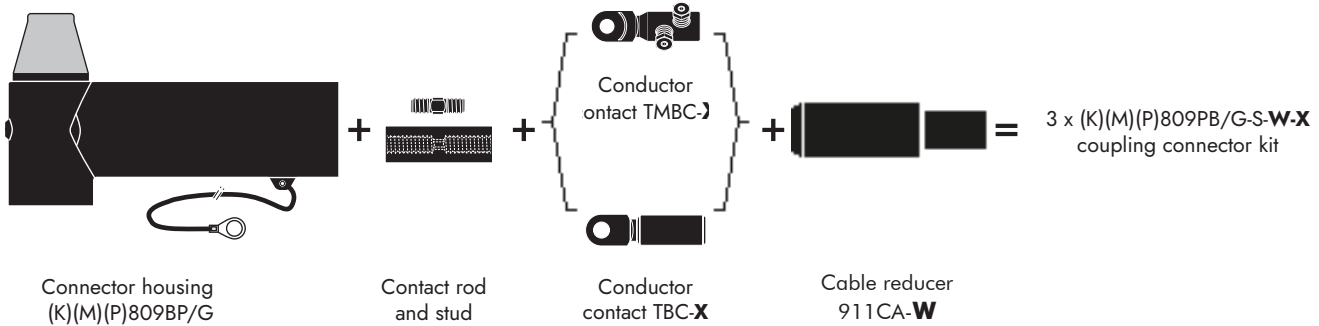
The 809PB coupling connector meets the requirements of CENELEC HD 629.1.

Separable connector type	Voltage U_m (kV)	Current I_r (A)	Conductor sizes (mm ²)	
			min	max
809PB/G	12	1250	630	1200
K809PB/G	24	1250	630	1200
M809PB/G	36	1250	630	1200
P809PB/G	42	1250	630	1200

KIT CONTENTS

The complete (K)(M)(P)809PB/G coupling connector kit comprises 3x the following components:

The kit also comprises silicone grease, field control mastic, gloves, wipers, roll adhesive tape, installation instructions and crimp chart.



ORDERING INSTRUCTIONS

To order the correct coupling connector kit, select the ordering part number from table W which gives you the best centring of your core insulation diameter and substitute **X** using table X, according to your conductor size and type.

Add a 'K' for use up to 24 kV, add an 'M' for use up to 36 kV, add a 'P' for use up to 42 kV.

EXAMPLE:

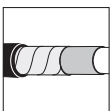
The copper wire screened cable is 36 kV (Um), 1000 mm² stranded aluminium with a diameter over core insulation of 52 mm. Order 3 x M809PB/G-S-43-800.1000UN5 coupling connector kit.

TABLE W

Ordering part number	Dia. over core insulation (mm)	
	min	max
3 x 809PB/G-37-X	40	48
3 x 809PB/G-43-X	46	54
3 x 809PB/G-50-X	53	59
3 x 809PB/G-53-X	56	62
3 x 809PB/G-56-X	59	65
3 x 809PB/G-59-X	62	68

TABLE X

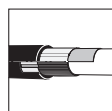
Conductor sizes (mm ²)	Aluminium conductor	Aluminium and copper conductor	Copper conductor
	Deep indent	Bolted	DIN hexagonal
630	630B11	400.630UN5	630CU2
800	800B11	800.1000UN5	800CU2
1000	1000B11		1000CU2
1200	1200B11	1200UN5	-



For use with copper tape screened cables. Order: Kit MT.



For use in potentially explosive atmospheres (for 12 kV max). Order: ATEX-IECEX



For use with Alupe or C 33-226 cables. Please contact our representative.



For use on vessels classed by DNV. Add -/DNV to part number



For use with other cable types. Please contact our representative.



For applications outdoors and in humid climate. Order: +MWS.



Components can be ordered individually.

800SA

**SURGE ARRESTER FOR 480TB,
484TB, 489TB, 800PB, 804PB
AND 809PB CONNECTOR**

APPLICATION

Surge arrester designed to protect 12, 24, 36 and 42 kV class components, including transformers, equipment, cable and accessories from high voltage surges resulting from lightning or switching. It has been designed to be used with the 480TB, 484TB and 489TB separable tee connectors.

TECHNICAL CHARACTERISTICS

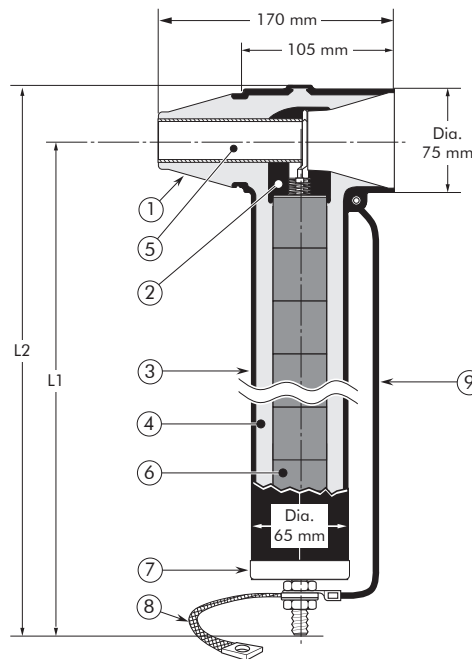
- This surge arrester is a metal oxide varistor surge arrester in an elbow configuration.
- Each arrester is tested for AC withstand, partial discharge and critical voltage prior to leaving the factory.



DESIGN

Surge arrester comprising:

1. Interface designed to fit the 480TB, 484TB and 489TB tee connector.
2. Conductive EPDM insert.
3. Conductive EPDM jacket.
4. Insulating EPDM layer moulded between the insert and the jacket.
5. Receptacle for contact rod.
6. Metal oxide valve elements.
7. Steel cap.
8. Earth connection.
9. Earthing lead.



6/10 (12) kV
6.35/11 (12) kV
8.7/15 (17.5) kV
12/20 (24) kV
12.7/22 (24) kV
18/30 (36) kV
19/33 (36) kV
20.8/36 (42) kV

Up to 42 kV

EUROMOLD

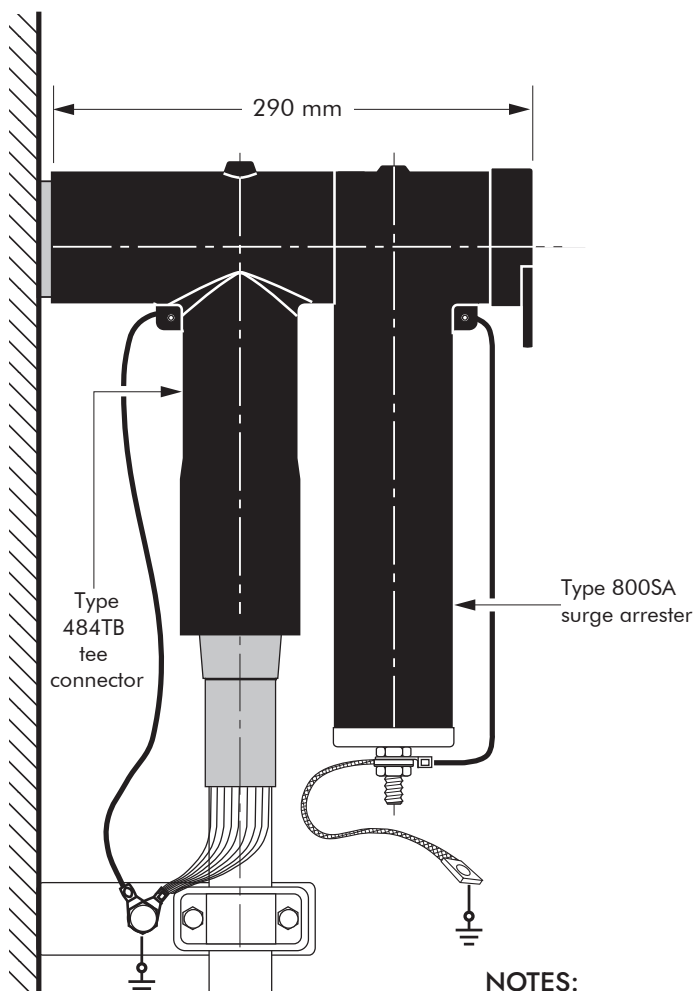
SPECIFICATIONS AND STANDARDS

- The 800SA surge arresters meet the test requirements of IEC 60099-4.
- Station class (SL); Qrs = 1.0 As
- Energy absorption 4.0 kJ/kV_{Ur}

Surge arrester type	Nominal discharge current I _n (kA)	Rated voltage U _r (kV)	Max. continuous operating voltage U _c (kV)	Dimensions (mm) (indicative)	
				L1	L2
800SA-10-6N	10	6	4.8	270	310
800SA-10-9N	10	9	7.2	270	310
800SA-10-12N	10	12	9.6	270	310
800SA-10-15N	10	15	12	270	310
800SA-10-18N	10	18	14.4	270	310
800SA-10-22N	10	22	17.6	270	310
800SA-10-24N	10	24	19.2	370	410
800SA-10-27.5N	10	27.5	22	370	410
800SA-10-30N	10	30	24	370	410
800SA-10-33N	10	33	26.4	370	410
800SA-10-36N	10	36	28.8	370	410
800SA-10-40N	10	40	32	470	510
800SA-10-42N	10	42	33.6	470	510
800SA-10-45N	10	45	36	470	510
800SA-10-51N	10	51	40.8	470	510



TYPICAL APPLICATION AND DIMENSIONS



NOTES:

- The surge arrester body needs to be positioned vertically after installation.
- Prior to cable testing, the surge arrester shall be removed.

ORDERING INSTRUCTIONS

To order the surge arrester, specify the surge arrester type, as described on previous page.

EXAMPLE:

For a maximum continuous operating voltage (r.m.s.) of 24 kV and a nominal discharge current of 10 kA.
Order a 800SA-10-30N surge arrester.



For use on vessels classed by DNV
Add -/DNV to part number



For use in potentially explosive atmospheres (for 12 kV max).
Order: ATEX-IECEx

TECHNICAL DATA

Surge arrester type	Steep current residual voltage @ 10 kA [1/20 μs] (kV)	Lightning current residual voltage [8/20 μs] (kV)			Switching impulse residual voltage [36/90 μs] (kV)		High current impulse withstand (kA)
		@ 5 kA	@ 10 kA	@ 20 kA	@ 125 A	@ 500 A	
800SA-10-6N	18.5	16,2	17,2	19,3	12,6	13,2	100
800SA-10-9N	26.3	23	24,5	27,5	18,1	19,1	100
800SA-10-12N	36.3	31,5	33,6	37,1	25,1	26,5	100
800SA-10-15N	45.3	39,4	42	46,4	31,4	33,1	100
800SA-10-18N	54.4	47,3	50,4	56,4	37,7	39,7	100
800SA-10-22N	66.5	57,8	61,6	68,1	46	48,5	100
800SA-10-24N	72.5	63	67,2	75,2	50,2	53	100
800SA-10-27.5N	81.6	71	75,6	85	56,5	59,6	100
800SA-10-30N	90.7	78,8	84	94	62,8	66,2	100
800SA-10-33N	99.7	86,7	92,4	102,1	65	68,5	100
800SA-10-36N	108.8	94,5	100,8	112,7	75,3	79,4	100
800SA-10-40N	120.9	105,1	112	123,8	83,7	88,3	100
800SA-10-42N	126.9	110,3	117,6	130	87,9	92,7	100
800SA-10-45N	136	118,2	126	139,3	94,2	99,3	100
800SA-10-51N	154.1	134	142,8	160,4	106,7	112,5	100

800TR

TEST ROD

APPLICATION

- The test rod can be used for:
 - cable fault location
 - cable testing
 - phasing checks, etc.
- Connections can be made with a cable lug, a 4 mm plug or spring clips.
- The test rod is not suitable for PD (partial discharge) measurements.

TECHNICAL CHARACTERISTICS

- The 800TR test rod can be used with 480TB, 484TB and 489TB connectors and their coupling connectors.



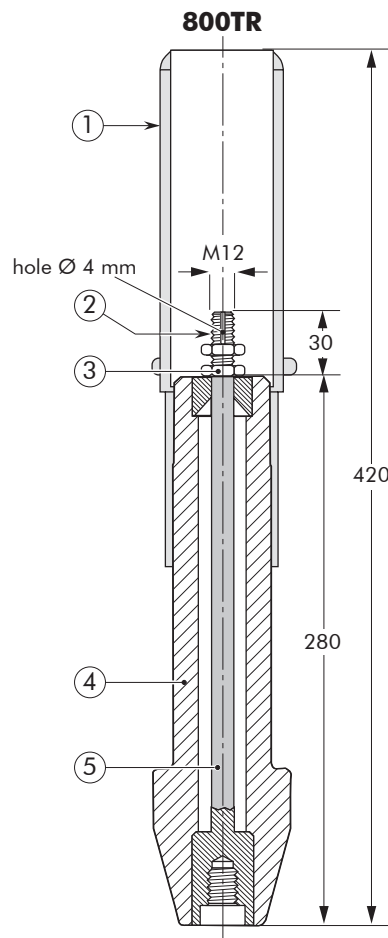
DESIGN

1. Insulating shroud.
2. Threaded rod for test connection.
3. Two nuts M12.
4. Insulation.
5. Test rod stem.

An insulating shroud is provided to allow the application of test voltages when bushings are closely spaced.

INSTALLATION

The test rod is mounted on to the clamping screw in the separable tee and coupling connectors. The test cable is connected to the threaded stem and the insulating shroud moved to its final position over the end of the test rod.



In mm.

ORDERING INSTRUCTIONS

Simply specify: 800TR.

Test rod type	Maximum A.C. test voltage ($2 \times U_0$ - 5 min)	Maximum D.C. test voltage (30 min)	Maximum impulse voltage ($1.2 \times 50 \mu s$)	Maximum VLF test voltage ($3 \times U_0$ - 60 min)
800TR	up to 42 kV	96 kV	95 kV	up to 63 kV

T-HSBK

THREE CORE HEAT-SHRINK BREAKOUT KIT

APPLICATION

For sealing of three core polymeric insulated cable crutches and earthing of the metallic screens and armour.

For use with Euromold separable connectors with ground lead (/G) or with terminations.

TECHNICAL CHARACTERISTICS

The installed breakout fullfills the requirements of IP54. The armouring and screen connection systems have short circuit rating (Isc) of up to 5,1 kA for 1s.

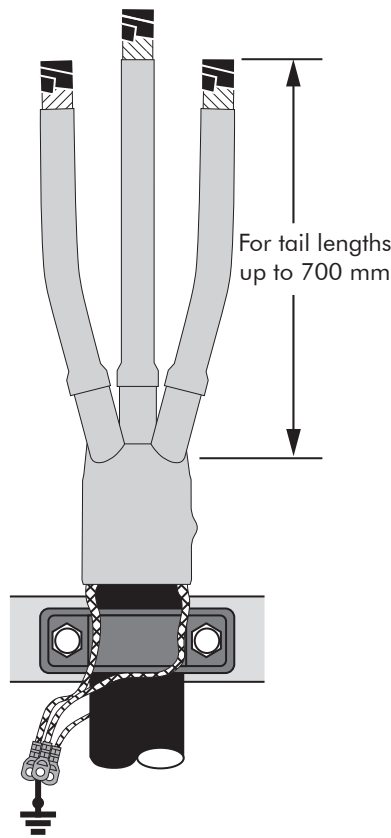


DESIGN

The three core heat-shrink breakout kit consists of (depending on cable type): a heat-shrinkable breakout, 3 sleeves of 500 mm, earth braid and roll springs, hose clamp, water sealing mastic and installation instructions.

ORDERING INSTRUCTIONS

To order the 3-core kit, select the part number, which gives you the best centering over the cable core insulation diameter and substitute **X** using table X, according to your cable type.



Ordering part number	Typical use Conductor sizes (mm ²)		Diameter over core insulation (mm)	Diameter over outer sheath (mm)
	12, 17 & 24 kV	36 & 42 kV		
T-HSBK-20-XY	16-95	-	12-23	50-70
T-HSBK-30-XY	95-240	16-95	19-31	60-80
T-HSBK-40-XY	185-400	95-240	24-35	70-90
T-HSBK-50-XY	-	185-400	32-40	80-100
T-HSBK-60-XY	-	630	40-70	100-120

Table X

Screen type "X"	X	Y	Armour type "Y"
Individual copper tape screen	DR1	K	Unarmoured
Individual copper wire screen	DR2	F	Armoured
Common copper wire screen	DR3		

ACCESSORIES

APPLICATION

For use with connectors and bushings with an interface C as described by CENELEC EN 50180 and 50181.

TECHNICAL CHARACTERISTICS

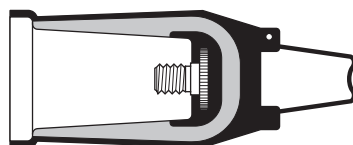
All these products, except the earthing plugs, are tested for AC withstand and partial discharge prior to leaving the factory.

6/10 (12) kV
6.35/11 (12) kV
8.7/15 (17.5) kV
12/20 (24) kV
12.7/22 (24) kV
18/30 (36) kV
19/33 (36) kV
20.8/36 (42) kV

Up to 42 kV

400DR-B/G DEAD-END RECEPTACLE

Fits over a bushing with a type C interface to provide 'dead-end' facility. The dead-end receptacle is supplied with an earth lead.

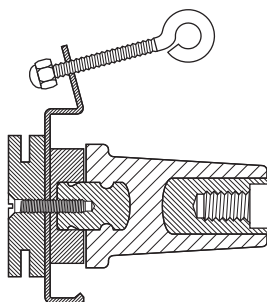


ORDERING INSTRUCTIONS

Order
400DR-B/G for 12 kV,
K400DR-B/G for 24 kV or
M400DR-B/G for 36 kV
applications.

400SOP-B STAND-OFF PLUG

Is designed to support and 'dead-end' connectors with a type C interface when removed from equipment.

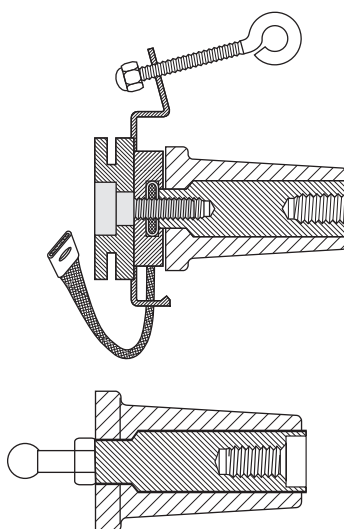


ORDERING INSTRUCTIONS

Order
400SOP-B for 12 kV,
K400SOP-B for 24 kV,
M400SOP-B for 36 kV or
P400SOP-B for 42 kV
applications.

400GP-B EARTHING PLUG

Is designed to support and earth connectors with a type C interface when removed from equipment.



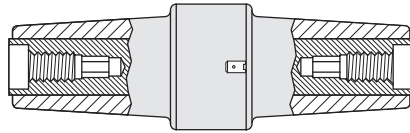
ORDERING INSTRUCTIONS

Order
400GP-B for 12, 24, 36 or
42 kV applications.

Order
400GP-SBT for a version with a
straight ball terminal bolt.

400CP CONNECTING PLUG

For connecting two or more connectors with a type C interface together, thus creating a separable cable joint or a multiple cable connection to equipment.
For use up to 630 A.

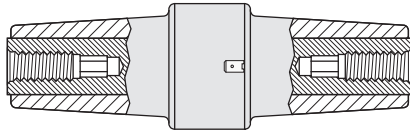


ORDERING INSTRUCTIONS

Order
400CP for 12 kV,
K400CP for 24 kV or
M400CP for 36 kV
applications.

440CP CONNECTING PLUG

For connecting two or more connectors with a type C interface together, thus creating a separable cable joint or a multiple cable connection to equipment.
For use up to 1250 A.



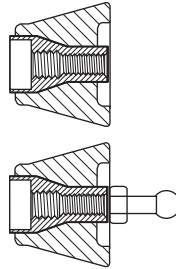
ORDERING INSTRUCTIONS

Order
440CP for 12 kV,
K440CP for 24 kV or
M440CP for 36 kV
applications.

Order (K)(M)440CP + 676SA
stud for connection to an already
installed connector.

800GP-B EARTHING PLUG

Is designed to earth the 480TB, 484TB, 489TB and their coupling connectors when fixed-mounted to the equipment (maintenance earthing).



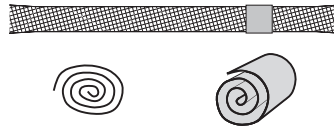
ORDERING INSTRUCTIONS

Order
800GP-B for 12, 24, 36 or
42 kV applications.

Order
800GP-SBT for a version with a
straight ball terminal bolt.

KIT MT EARTHING KIT FOR COPPER TAPE SCREENED CABLES

Contains a tinned copper braid (25 mm² - L = 500 mm), a tinned copper wire for cleating and some water sealing mastic.



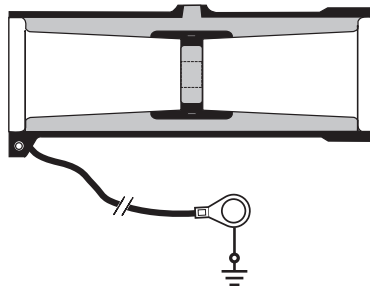
ORDERING INSTRUCTIONS

Order
Kit MT for 12 kV, 24 kV,
36 kV or 42 kV applications.

400BE/G BUSHING EXTENDER

Provides an extension piece to allow cables to stand away from equipment.

Is used in conjunction with the 400CP, 440CP or 440PB. The bushing extender is supplied with an earth lead.



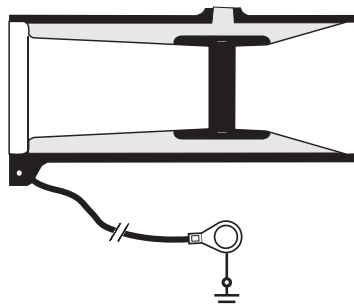
ORDERING INSTRUCTIONS

Order 400BE/G for 12 kV,
K400BE/G for 24 kV,
M400BE/G for 36 kV or
P400BE/G for 42 kV
applications.

480BE/G BUSHING EXTENDER

Provides an extension piece to allow cables to stand away from equipment.

Is used in conjunction with the 800PB, 804PB or 809PB. The bushing extender is supplied with an earth lead.



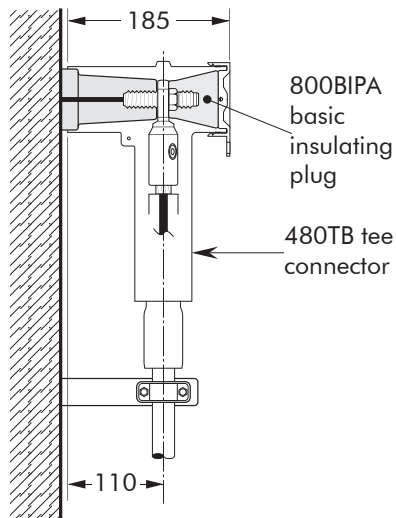
ORDERING INSTRUCTIONS

Order 480BE/G for 12 kV,
K480BE/G for 24 kV,
M480BE/G for 36 kV or
P480BE/G for 42 kV
applications.

POSSIBLE ARRANGEMENTS

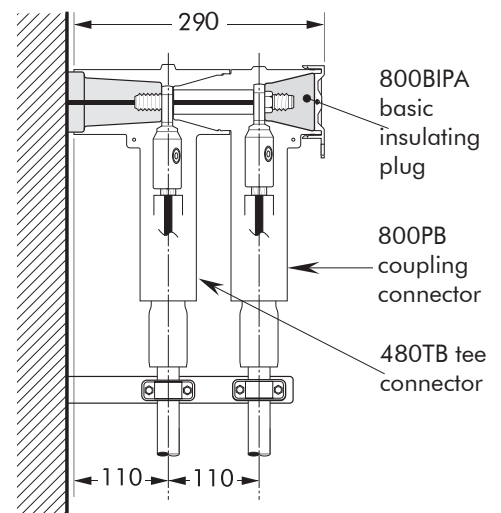
480TB

Single cable arrangement.
 Order 480TB for 12 kV,
 K480TB for 24 kV,
 M480TB for 36 kV or
 P480TB for 42 kV applications.



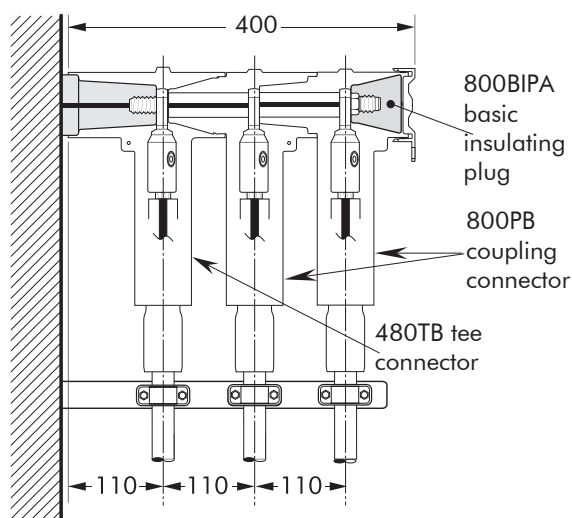
480TB-P2

Dual cable arrangement.
 Order 480TB-P2 for 12 kV,
 K480TB-P2 for 24 kV,
 M480TB-P2 for 36 kV or
 P480TB-P2 for 42 kV applications.



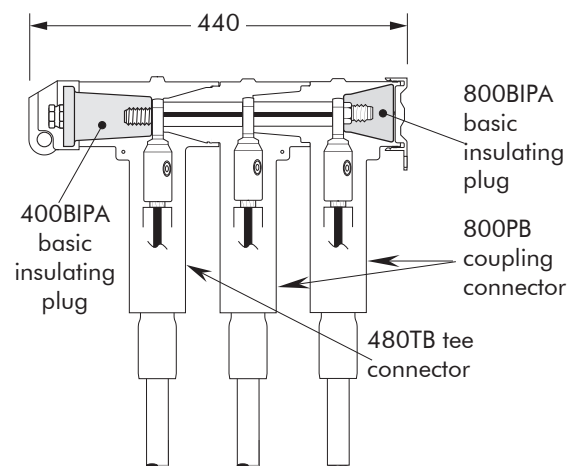
480TB-P3

Triple cable arrangement.
 Order 480TB-P3 for 12 kV,
 K480TB-P3 for 24 kV,
 M480TB-P3 for 36 kV or P480TB-P3
 for 42 kV applications.



480TB-L3

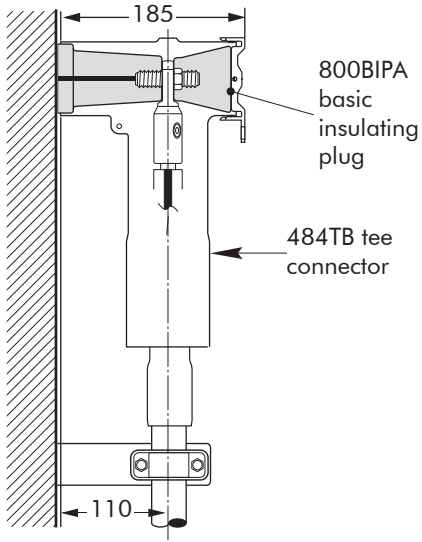
3-way connection.
 Order 480TB-L3 for 12 kV,
 K480TB-L3 for 24 kV,
 M480TB-L3 for 36 kV or P480TB-L3
 for 42 kV applications.



In mm.

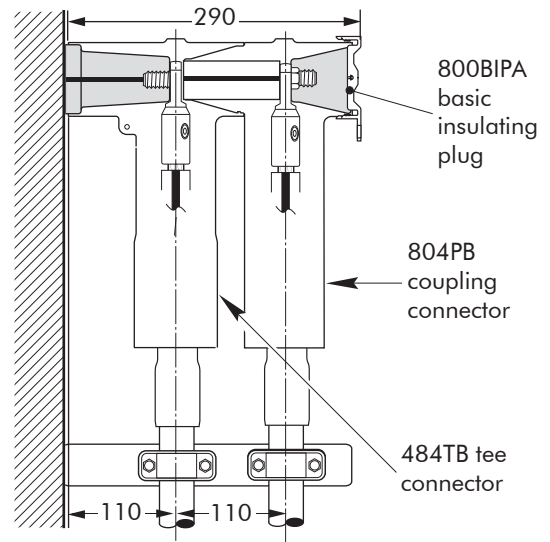
484TB

Single cable arrangement.
Order 484TB for 12 kV,
K484TB for 24 kV,
M484TB for 36 kV or
P484TB for 42 kV applications.



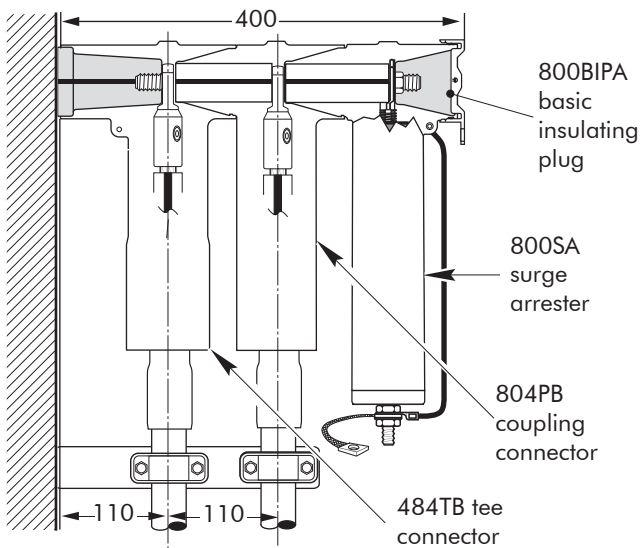
484TB-P2

Dual cable arrangement.
Order 484TB-P2 for 12 kV,
K484TB-P2 for 24 kV or M484TB-P2
for 36 kV or P484TB-P2 for 42 kV
applications.



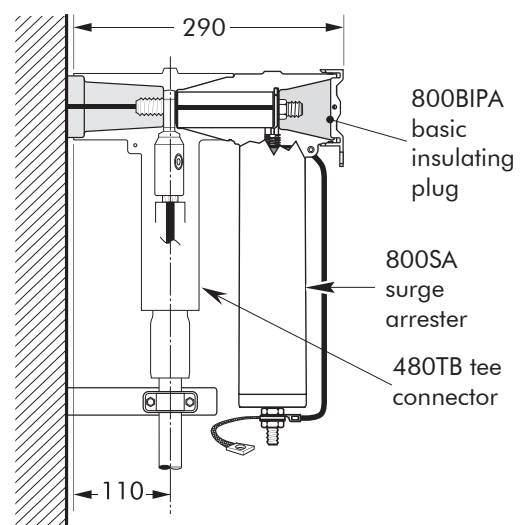
484TB-P2+800SA

Dual cable arrangement with surge
arrester.
Order 484TB-P2+800SA for
12 kV, K484TB-P2+800SA for
24 kV, M484TB-P2+800SA for
36 kV or P484TB-P2+800SA for
42 kV applications.



480TB+800SA

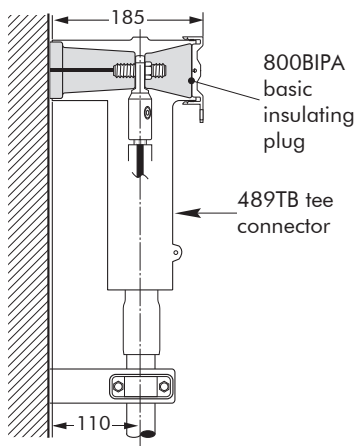
Single cable arrangement with
surge arrester.
Order 480TB+800SA for 12 kV,
K480TB+800SA for 24 kV,
M480TB+800SA for 36 kV or
P480TB+800SA for 42 kV
applications.



In mm.

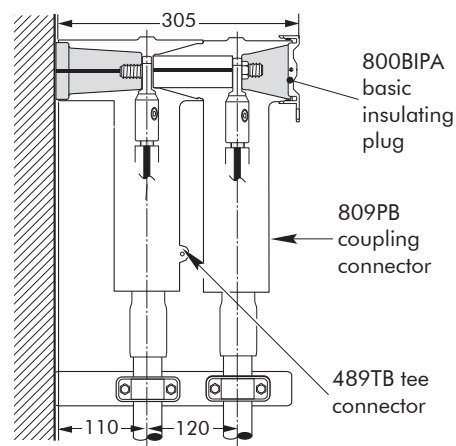
489TB

Single cable arrangement.
Order 489TB for 12 kV,
K489TB for 24 kV,
M489TB for 36 kV or
P489TB for 42 kV applications.



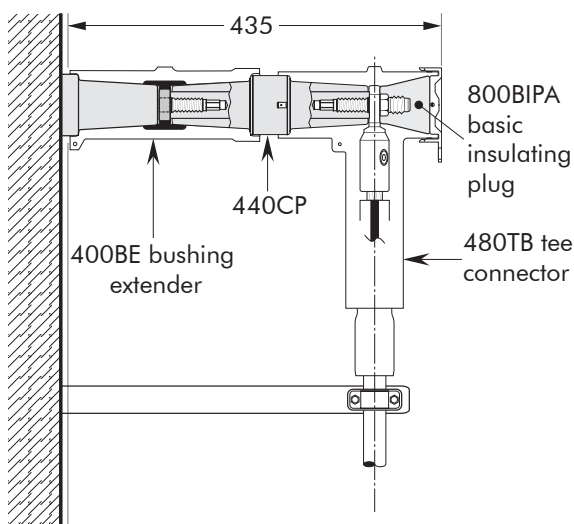
489TB-P2

Dual cable arrangement.
Order 489TB-P2 for 12 kV,
K489TB-P2 for 24 kV or
M489TB-P2 for 36 kV or
P489TB-P2 for 42 kV applications.



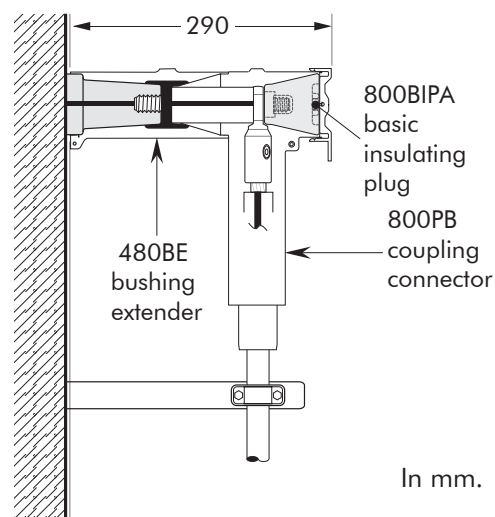
400BE+480TB+440CP

Order 400BE+480TB+440CP for 12 kV,
K400BE+K480TB+K440CP for 24 kV
or M400BE+M480TB+M440CP for 36 kV
applications.



480BE+800PB

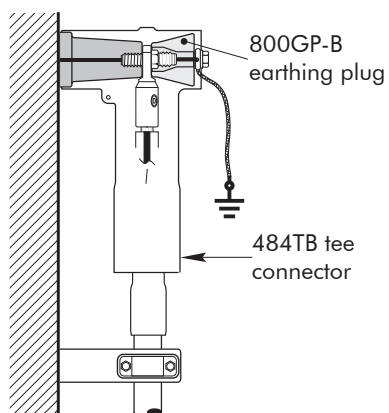
Single cable arrangement.
Order 480BE+800PB for 12 kV,
K480BE+K800PB for 24 kV,
M480BE+M800PB for 36 kV
or P480BE+P800PB for 42 kV
applications.



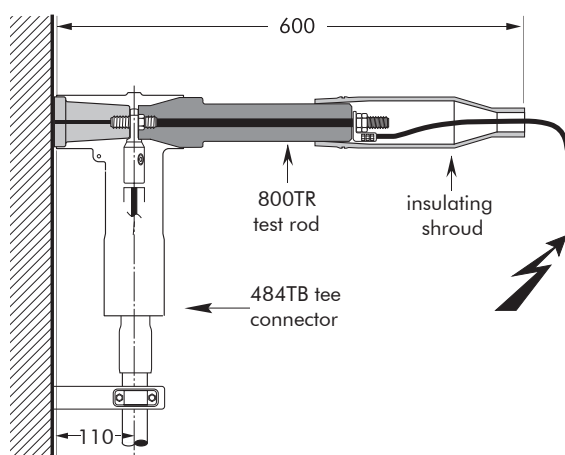
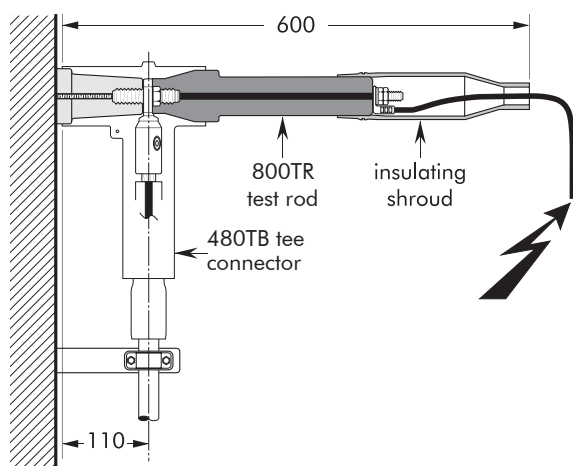
In mm.

EARTHING PLUG ON CONNECTOR

Order 800GP-B for 12 kV, 24 kV, 36 kV and 42 kV applications.



CABLE AND EQUIPMENT TESTING



In mm.

About Nexans

For over a century, Nexans has played a crucial role in the electrification of the planet and is committed to electrifying the future. With approximately 28,500 people in 41 countries, the Group is paving the way to a new world of safe, sustainable and decarbonized electricity that is accessible to everyone. In 2023, Nexans generated 6.5 billion euros in standard sales. The Group is a leader in the design and manufacturing of cable systems and services across four main business areas: Power Generation & Transmission, Distribution, Usage and Industry & Solutions. Nexans was the first company in its industry to create a Foundation supporting sustainable initiatives, bringing access to energy to disadvantaged communities worldwide. The Group is recognized on the CDP Climate Change A List as a global leader on climate action and has committed to Net-Zero emissions by 2050 aligned with the Science Based Targets initiative (SBTi).

Nexans. Electrify the future.

Nexans is listed on Euronext Paris, compartment A.

For more information, please visit www.nexans.com

—

Nexans Network Solutions NV - div. EUROMOLD

Nexans Network Solutions NV - div. EUROMOLD
Zuid III - Industrielaan 12
B-9320 EREMBODEGEM-AALST — BELGIUM
Tel: +32 (0)53/85 02 11
E-mail: sales.euromold@nexans.com
www.nexans.be/poweraccessories



Find out more about Nexans Power Accessories.